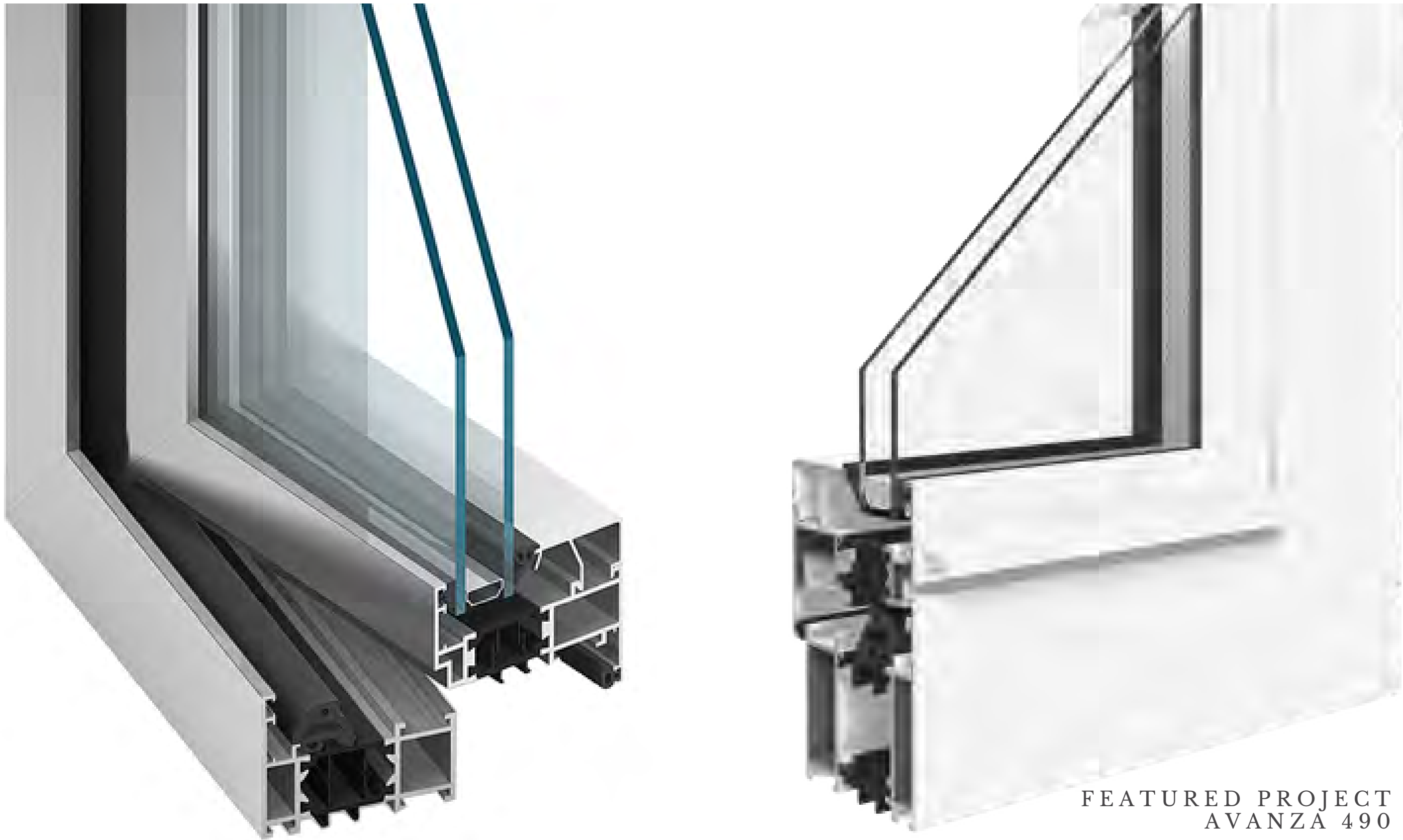




AUG 2021 / ISSUE 6 / ECOWDS.COM



FEATURED PROJECT  
AVANZA 490



## **MB 70**

CASEMENT, HOPPER, FIXED

ECO aluminum windows...

Glass packages are built to meet your specific project requirements.

Windows are available with a snap in nail fin, or as a block frame to give you the highest possible quality.

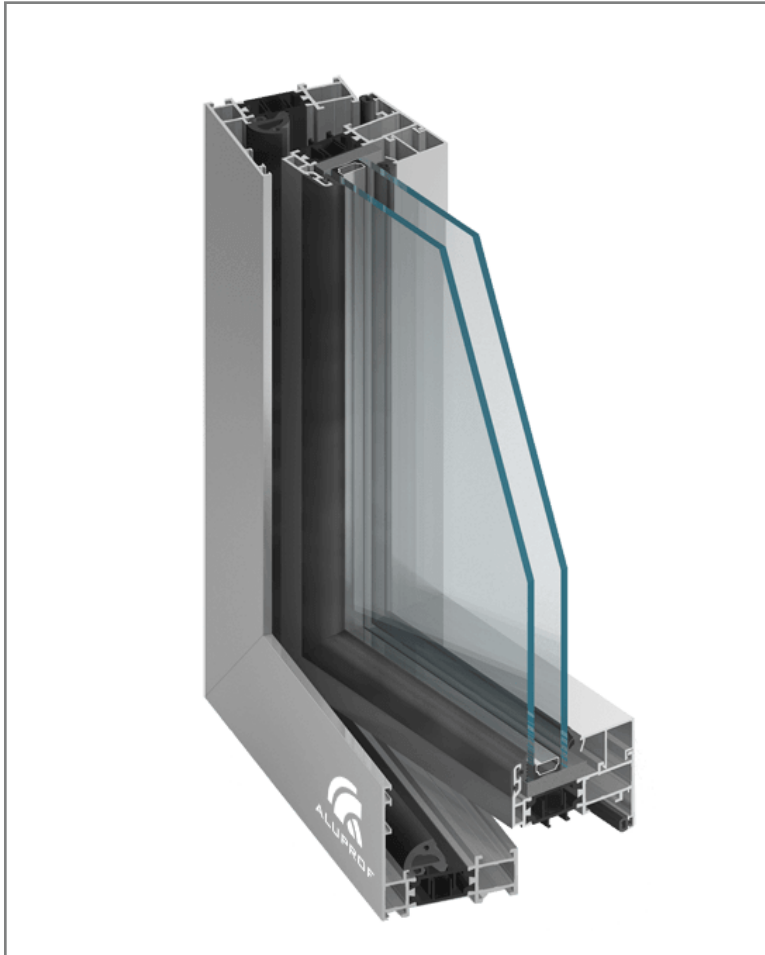
Available in unlimited color & finish options, there is a configuration to suit any need.

### **FEATURES**

- Unlimited color & finish options
- Large Multi-lite configurations
- Fully integrated window & door system
- Remote entry or manual keying options
- High security multipoint locking system
- Double, sliding & bi-fold doors available
- Inswing and outswing doors & windows
- Dual action tilt & turn available
- Narrow sideline sash and frame
- Concealed sash option
- Tilt & turn or pushout casement options

### **PERFORMANCE**

- STC up to 46
- U-Value down to 0.23
- SHGC down to 0.17
- Up to 15 PSF of water



## **MB 70 US**

CASEMENT, HOPPER, FIXED

ECO aluminum windows..WITH EQUAL SIGHTLINES .

Glass packages are built to meet your specific project requirements.

Windows are available with a snap in nail fin, or as a block frame to give you the highest possible quality.

Available in unlimited color & finish options, there is a configuration to suit any need.

### **FEATURES**

- Unlimited color & finish options
- Large Multi-lite configurations
- Fully integrated window & door system
- Remote entry or manual keying options
- High security multipoint locking system
- Double, sliding & bi-fold doors available
- Inswing and outswing doors & windows
- Dual action tilt & turn available
- Narrow sideline sash and frame
- Concealed sash option
- Tilt & turn or pushout casement options

### **PERFORMANCE**

- STC up to 46
- U-Value down to 0.23
- SHGC down to 0.17
- Up to 10 PSF of water